

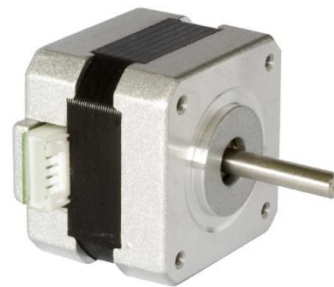
# Hybrid Stepper Motor

## 42BYGHW Series

### General Specifications

Step Accuracy	± 5%
Temperature Rise	80°C Max
Ambient Temperature Range	-20°C ~ +50°C
Insulation Resistance	100 MΩ Min. 500 VDC
Dielectric Strength	500 VAC 1 minute

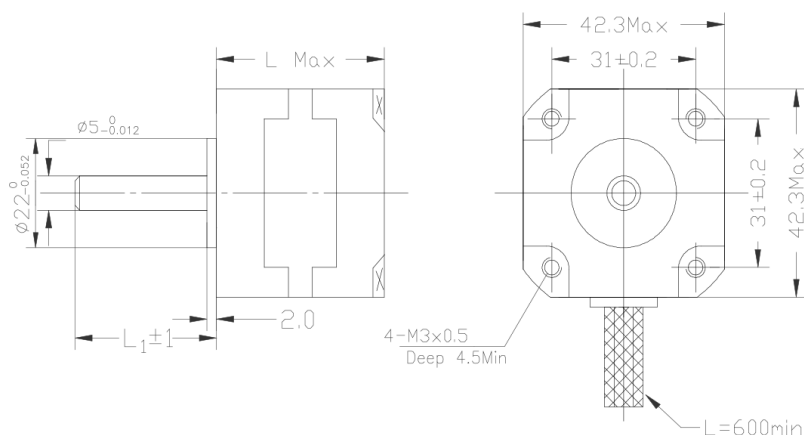
**Customized solutions on request.**



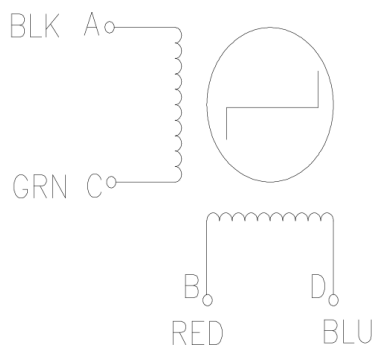
### Electrical Specifications

Model	Step Angle	Motor Length	Rate Voltage	Rate Current	Phase Resistance	Phase Inductance	Holding Torque	Detent Torque	Rotor Inertia	Lead Wire	Motor Weight
	°	L (mm)	V	A	Ω	mH	mNm	mNm	gcm <sup>2</sup>	NO.	kg
42BYGHW205-03	1.8	34	11	0.3	36.6	22	200	19.6	34	6	0.2
42BYGHW208-04	1.8	34	12	0.4	30	37	310	19.6	34	4	0.2
42BYGHW213-06-01	1.8	34	11.7	0.6	19.5	13.5	280	19.6	34	5	0.2
42BYGHW602-02	1.8	40	11.76	0.4	29.4	21.8	290	21.6	54	6	0.24
42BYGHW607-01	1.8	40	3.7	1.2	3.11	2.9	310	21.6	54	6	0.24
42BYGHW609	1.8	40	3.4	1.7	2	3	400	21.6	54	4	0.24
42BYGHW801-05	1.8	48	12	0.4	31	25.4	400	27.5	68	6	0.34
42BYGHW804	1.8	48	3.6	1.2	3	5	480	27.5	68	4	0.34
42BTGHW811	1.8	48	3.12	2.5	1.25	1.8	500	27.5	68	4	0.34

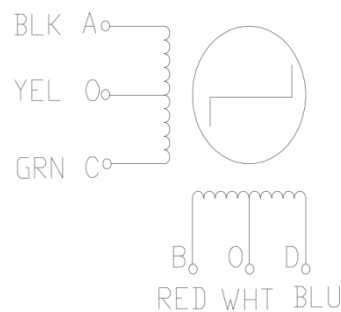
### Mechanical Dimensions



### Wiring Diagram



**4 Leads**



**6 Leads**

# Hybrid Stepper Motor

## Pulse-Torque Characteristics

