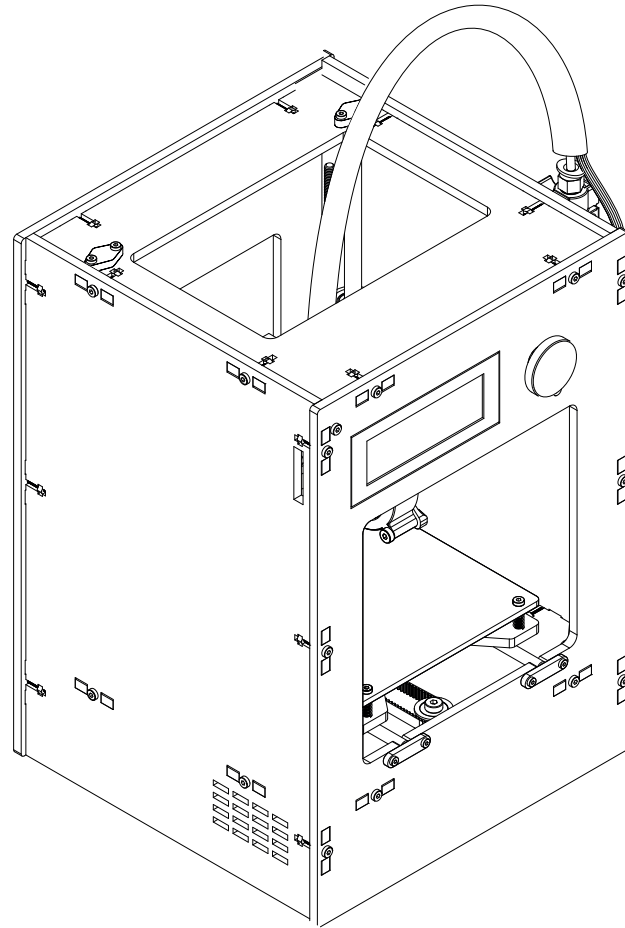


TECHNICAL DATA SHEET

Date of issue: 02.01.21 | Update: 14.04.2021 | Version: 3.00

BL□**CKS**
zero



TECHNICAL DATA SHEET

Date of issue: 02.01.21 | Update: 14.04.2021 | Version: 3.00

BLOCKS
zero

PRINT VOLUME	120x140x120mm
PRINT MATERIALS	Open filament 1.75mm
LAYERS RESOLUTION	Very High 40 microns High 100 microns Medium 200 microns Low 300 microns
PRINT SPEED	40-60mm/s
HOT END	Nozzle 0,4mm Temperature 180-255°C

DIMENSIONS	200x210x300mm
TRAVEL SPEED	150mm/s
SOFTWARE	Marlin derived firmware Gcode files Recommended: Cura Compatible: Simplify3D and others
OS SYSTEMS	Windows, macOS and Linux
CONNECTIVITY	USB Port, SD Card
POWER	12V/220V
WEIGHT	2.8Kg

BLOCKS

Dualtec LDA
Lisboa, Alfragide
2610-161, Portugal
NIF: 516041452

Contact
Office: info@blockstec.com
Sales: sales@blockstec.com
Support Center: support@blockstec.com

©2021 Dualtec LDA. All rights reserved. All trade names, logos and trademarks mentioned in the following document are registered trademarks of Dualtec and are subject to legal protection