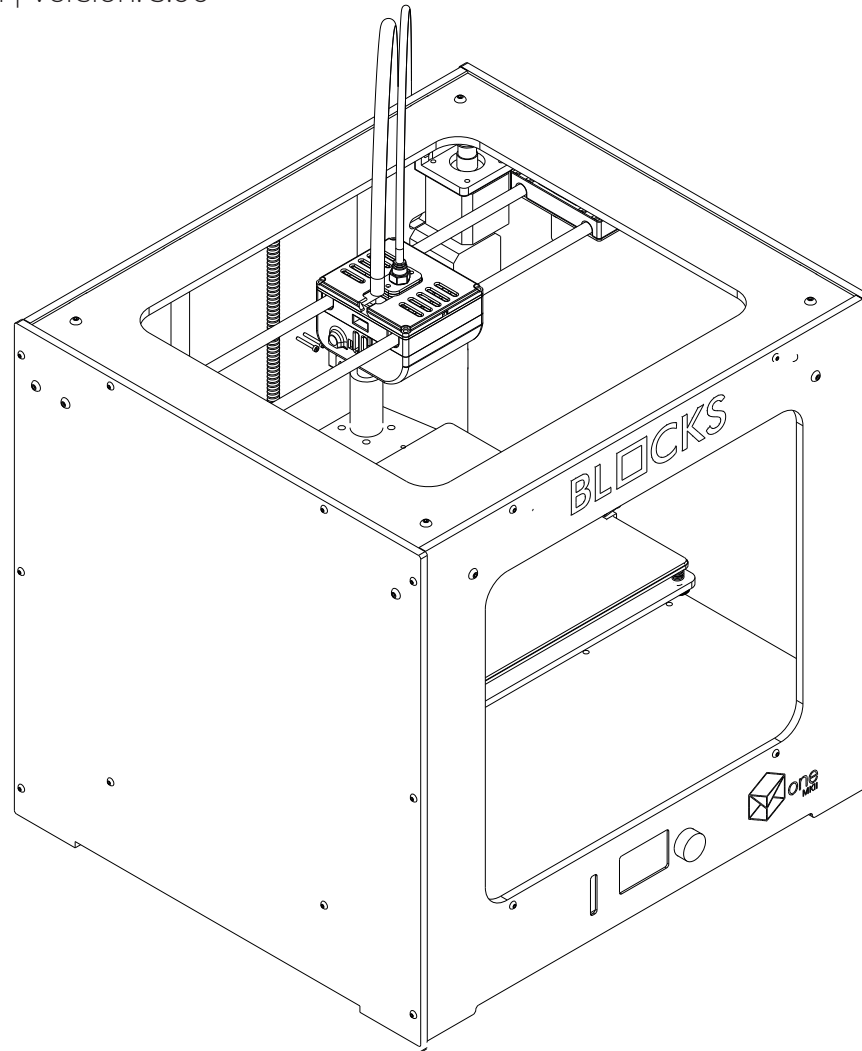


TECHNICAL DATA SHEET

Date of issue: 02.01.21 | Update: 14.04.2021 | Version: 3.00



TECHNICAL DATA SHEET

Date of issue: 02.01.21 | Update: 14.04.2021 | Version: 3.00



PRINT VOLUME	200x210x210mm
PRINT MATERIALS	Open filament 1.75mm
LAYERS RESOLUTION	Very High 20 microns High 100 microns Medium 200 microns
PRINT SPEED	60mm/s
HOT END	Nozzle 0,4mm Temperature 170-270°C
KEY FEATURES	Run Out Sensor Auto Bed Leveling Dual Drive Extruder

DIMENSIONS	415x370x390mm
TRAVEL SPEED	250mm/s
HOT BED	Max 100°C
SOFTWARE	Marlin derived firmware Gcode files Recommended: Cura Compatible: Simplify3D and others
OS SYSTEMS	Windows, macOS and Linux
CONNECTIVITY	USB Port, SD Card
POWER	24V DC - 13,6 AMPS
WEIGHT	11Kg

BLOCKS

Dualtec LDA
Lisboa, Alfragide
2610-161, Portugal
NIF: 516041452

Contact
Office: info@blockstec.com
Sales: sales@blockstec.com
Support Center: support@blockstec.com

©2021 Dualtec LDA. All rights reserved. All trade names, logos and trademarks mentioned in the following document are registered trademarks of Dualtec and are subject to legal protection